



Introduction

Inta's range of BS2767-10 lockshield radiator valves are the last word in installer convenience. Their unique and patented design eliminates the use of a conventional rising spindle and the inconvenient installer call backs for weeping packing glands. The i-ten is also available with our A rated, Keymark approved i-therm TRV.



- BS2767-10 manual lockshield valves
- Patented design
- Serviceable without the need for system drain down
- No packing gland eliminates valves leaking from the spindle
- Seals on a chamfered disc, not a perishable o-ring
- Available with our A rated, Keymark approved i-therm TRV

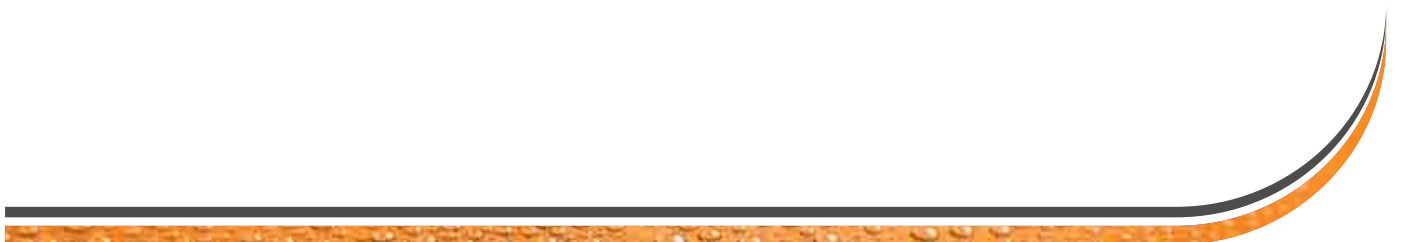
Product Range	Box Quantity	Code
15mm wheel head lockshield angled rad valve	50	15ABS2767
10/8mm wheel head lockshield angled rad valve	10	10ABS2767
15mm wheel head lockshield straight rad valve	10	15SBS2767
15mm wheel head lockshield angled rad valve with drain off tail	-	15ABSDOT

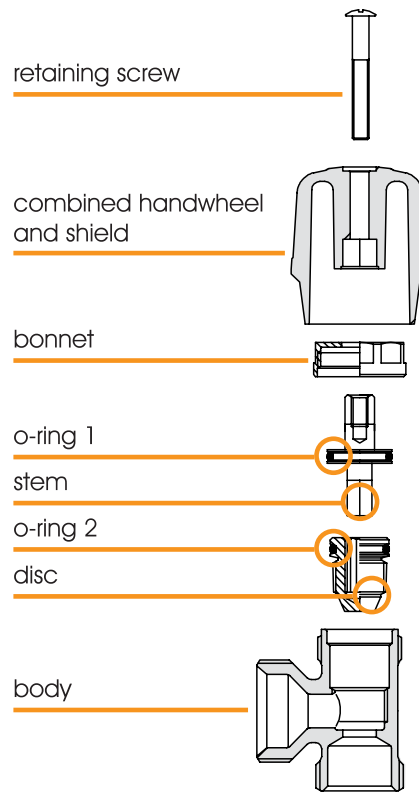
Operating Parameters

Maximum inlet temperature	120°C
Maximum inlet pressure	10 bar

Materials

Body	Brass
Gland seals	EPDM Peroxide
Head	ABS





Line Drawing

